

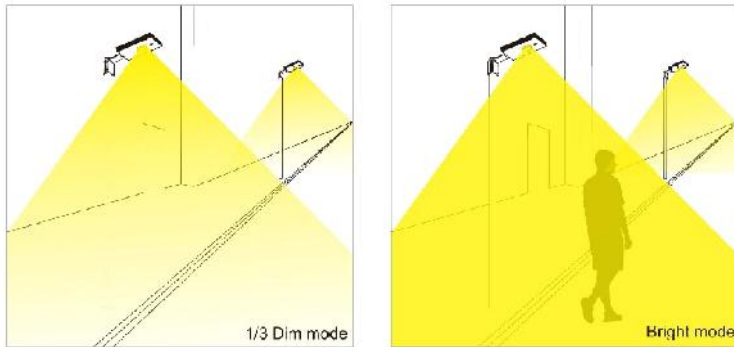
All in One Solar Street Light User's Manual

Introduction

Congratulations on being the proud owner of one of the best integrated Solar Street Light available in India. Systemstar is the first brand manufacturing All in One solar street light in India. This light uses indigenous components including Solar Panel, Li-ion battery, LED Lamp & Microcontroller based solar charge controller with PIR motion sensor.

Features

1. All in one solar street light comes with Built in passive infrared **PIR motion sensor** which automatically detects human/traffic presence and adjusts LED brightness accordingly. If motion sensor detects no motion for more than 1 minute, the controller reduces the brightness of LED Lamp by one third. On detecting any movement in the range of 12-15m, the light will automatically glow at full power. This provided required illumination only when needed and helps in increasing battery backup time.



2. Microcontroller based design enables intelligent and efficient working
3. Totally off-grid design with very easy installation. Perfect for areas without Mains Supply
4. Lithium-ion battery technology provides longer product life and is completely maintenance free.

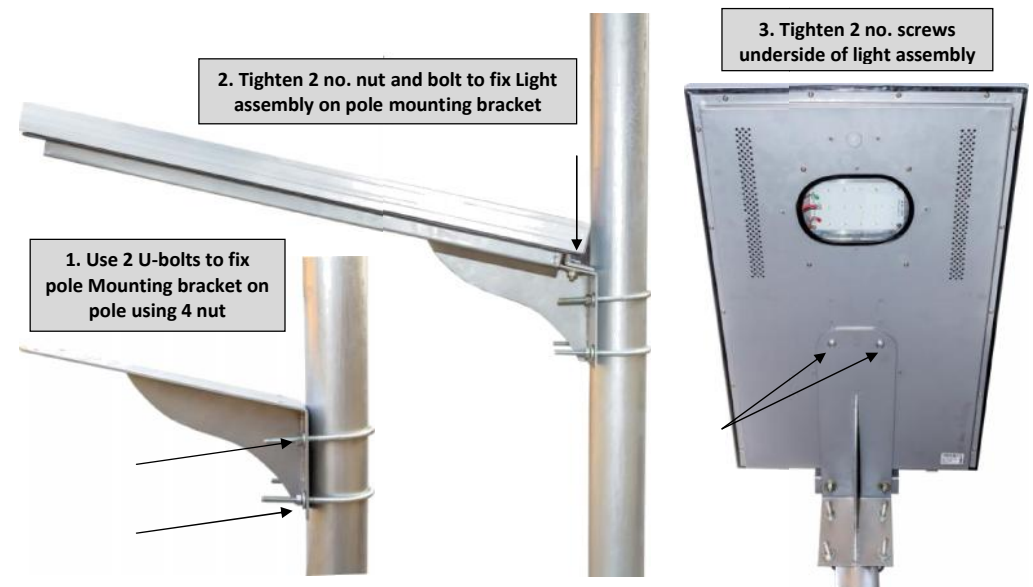
Installation

1. All in One Solar Street light comes in 2 parts.
 - The pole mounting bracket
 - The integrated light assembly with solar panel
2. Since proper functioning of all solar products depends on receiving unrestricted sunrays, so this light should be installed at a location free from shadows / obstruction to sunrays.
3. First, the pole mounting bracket needs to be fixed onto a pole using C-clamps. The rounded part of C-clamp should be on the outer side of the pole.
4. Now place the LED light assembly on the mounting bracket. Properly tighten the LED light assembly to the pole mounting bracket using 2 nos. nut-bolts (provided). Now tighten 2 screws (provided) from under side of the light.
5. The light should be mounted at 4m – 5m height. Kindly ensure that the pole on which light is mounted is sturdy and can support the weight of this light even in windy conditions.
6. Once the light is mounted, turn ON the Switch provided beside the light mounting clamp. As soon as the Switch is ON, the SSL will start working and its Red/Green LED indicator will start glowing / blinking depending upon daytime and battery condition.

Description of LED light assembly



Light Mounting Instructions



GREEN & RED LED indications

LED Indication	Condition
RED: One blink every 2 second	Battery discharged
RED: Two blinks every 2 second	Solar panel needs to be cleaned
RED: Solid On (Unlikely fault)	Battery voltage too high (system fault)
GREEN: Solid On	Battery fully charged
GREEN: One blink at 2 seconds interval	During DAY, Charging current < 1 Amp
GREEN: Two blink at 2 seconds interval	During DAY, Charging current > 1 Amp

Note that the above is prioritized list of indications i.e. when a higher priority indication is there, any lower priority indication will not be given during that period.

Specifications

LED Light	12W / 15W Models available
Solar panel	Poly-crystalline 40W
Battery capacity	11.1V 10Ah / 15Ah Lithium –ion battery
Motion Sensor	PIR motion sensor (12m range) Detection: 102° Horizontal & 92° Vertical
Solar charge controller rating	5A
LUMEN Output	1200 /1500Lumen. Dimming to 1/3 intensity on detecting no motion for more than 1 min.
LED Dispersion angle	120°
LED Driver efficiency	>90% (Battery to Load)
LED light operating Voltage Range	9V -12.6 V DC
Load cut-off voltage for battery deep discharge protection	9 V
Light mounting height	4m – 5m above ground level
Space between light poles	10 m – 15m
Humidity Range	0 to 95% (non-condensing)
Temperature range	0 to 60 °C
Product Warranty	2 Year (Battery warranty 1 year)
Light backup time	Full night with dimming
Net Weight	11 kg
Weight with Packing	13 kg
Dimensions (L x W x H)	70cm x 45cm x 7cm
Packing Dimensions (L x W x H)	95cm x 53cm x 16cm

*In process of product improvement, product specifications can change without notice

WARRANTY CERTIFICATE

We hereby warrant the equipment supplied as per details given below to be free from defects in material and workmanship for a period specified below from the date of first purchase. The warranty stands on all parts (except external body, switches & cables). Our liability under this warranty is limited to repair / replacement of the defective part free of charge and does not cover any indirect or consequential damages resulting from any reason what so ever. The warranty will be applicable only if the equipment has been purchased from our authorised dealer & operated within the operating limits and is not subject to mishandling or misuse by the purchaser. The warranty does not cover burning of the circuit due to high voltage or due to wiring faults. The repair will be carried out at the works of the dealer from whom the equipment has been purchased or at company service centre in Meerut, U.P. The equipment must be sent to the dealer freight paid.

PRODUCT: All In One Solar Street Light

MODEL: 12W LED 15W LED

WARRANTY PERIOD: **2 years against manufacturing defects (1 year battery warranty)**

SERIAL NUMBER: _____

COMPANY STAMP

Company Contact details:

Systemlar Innovations

Shankar Chowk, Delhi Road, Meerut – 250002
Ph: 0121-2400394 | Email: info@systemlar.in
www.systemlar.co.in